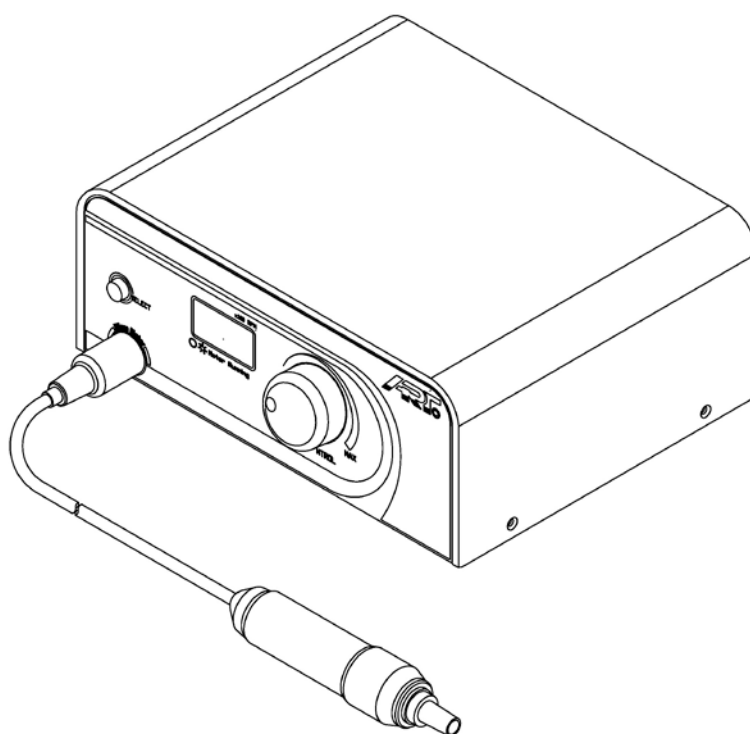


User Manual

ART-PL3

POLISHER UNIT



Bonart Co., Ltd.

4F-11, No.3 Wuquan 1st Rd., Xinzhuang
Dist., New Taipei City 24892, Taiwan, R.O.C.
Tel: 886-2-22983980
Fax: 886-2-22983981
Email: sales@bonartmed.com



COPYRIGHT© 2013 BONART CO., LTD.

Operator Safety

Read this page carefully before installation and use of the instrument.

The instrument described in this manual is designed to be used by properly trained personnel only. Only qualified personnel shall carry out adjustment, maintenance and repair of the equipment.

- **NOTE, CAUTION, AND WARNING STATEMENTS**

NOTE: Provides tips and advice

CAUTION: Indicates when correct operating or maintenance procedures must be followed to prevent damage to the machine and other property.

WARNING: Calls attention to procedures or practices that must be followed to prevent personal injury.

- **SYMBOLS**



Compliance with MDD 93/42/EEC



BF equipment



Grounding terminal



Attention. Read the instructions

ART is a registered trademark of BONART Co., Ltd. & its affiliates.

Document No. RD-02-21-02 Rev.1.1 (06/13)

Printed in Taiwan, R.O.C.

This user manual contains installation and operating instructions. Please read thoroughly prior to using the polisher.

Warnings

Important Notes!

The polisher should be used solely by qualified doctors, dentists, hygienists, or other properly trained personnel.

Users with pacemakers should not operate the polisher.

The polisher requires a shielded AC power cord.

The ART-PL3 should be powered by a separate wall outlet with a grounding point.



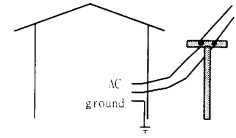
Attention!
Avoid use of this machine around pacemakers.

Studies have shown that electronic appliances including razors, hair dryers, microwave ovens, TV receptors, and some electronic medical equipment may interfere with the normal operations of pacemakers. It is suggested that patients with pacemakers avoid treatment with the polisher. For further readings on the subject, please refer to:

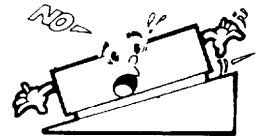
- "Advances in Cardiac Pacemaker", The New York Academy of Sciences, Vol. 167, Article 2, pp. 515-1075
- "Electromagnetic Radiation Interference with Cardiac Pacemaker", U. S. Department of Health, Education and Welfare
- "The Individual with a Pacemaker in the Dental Environment", Journal of the American Dental Association, Vol. 91, No. 6, pp. 1224-1229

Note before using:

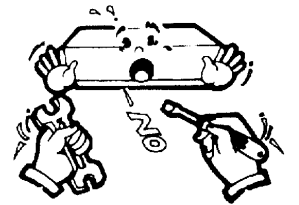
- The power source must be grounded to prevent damage to the unit, and more importantly, prevent harm to the user.
-



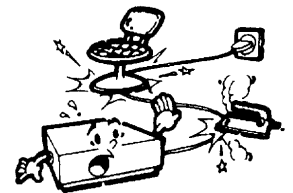
- The machine should be placed stable and flat surface. Placing the machine on an unstable or tilted surface may degrade the performance and/or may accidentally cause damage to the system.
-



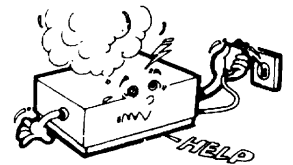
- Do not dismantle and modify the machine. Violation of this requirement may cause harm to the user and/or damage to the machine.
-



- Do not place heavy objects on top of the power cord. Also keep the power cord and machine away from high heat sources.
-



- If you observe any abnormalities while the machine is in use, turn the power off and unplug the power cord for precaution.
-



CONTENT

Note before using	4
Components	6
Installation Guide.....	8
Maintenance	10
Accessories	11
Specifications	12

Components

- **Components**

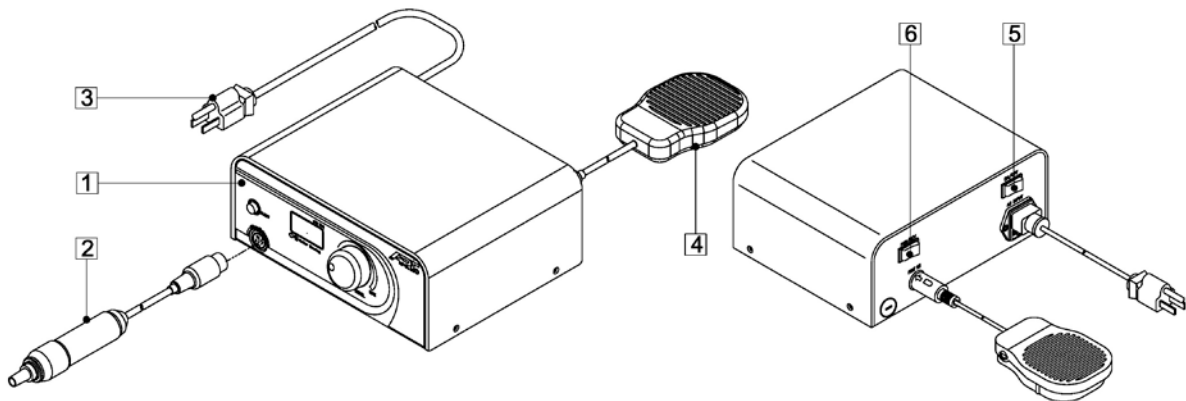


Figure 1. ART-PL3 Outlook diagram

1. Main Unit

The Main Unit is the heart of the unit. Operating signals are generated here and passed to the micro-motor.

2. Micro-Motor

The micro-motor is a DC micro-motor. Speed is dependent on voltage input.

3. AC power cord

4. Micro-Motor

The micro-motor is a DC micro-motor. Speed is dependent on voltage input.

5. Main Power Switch

The main power switch is used to turn the unit on and off.

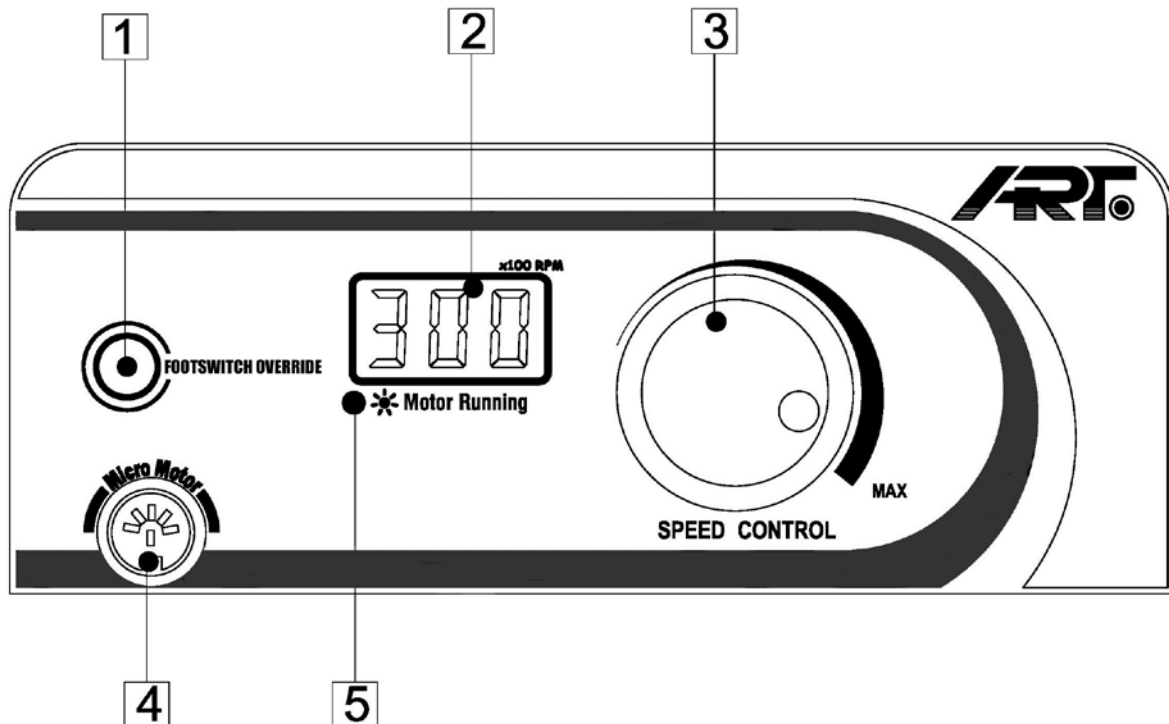


Before turning the unit on, be sure the foot switch is not in use and that there is no weight on the foot switch.

6. Forward/Reverse Switch

Controls the direction that the micro-motor rotates.

● CONTROL PANEL



1. FOOTSWITCH OVERRIDE

This button bypasses the footswitch and turns on the micro-motor. When the micro-motor is on, indicator LED (5) will be lit. To enter footswitch override, push the button once. Push again to leave.

2. DIGITAL DISPLAY

The digital display shows the rotational speed of the micro-motor (x100 R.P.M.).

3. SPEED CONTROL

The speed control dial adjusts the speed of the micro-motor. Turn clockwise to increase the speed. Turn counter-clockwise to decrease the speed.

4. MICRO-MOTOR SOCKET SEAT

Connect micro-motor to the main unit here.

5. LED

The LED indicator shows when the micro-motor is running.

INSTALLATION GUIDE

1. Unpacking

When unpacking the box, check the unit for any damages. If damaged, please contact your dealer immediately. Enter the unit serial number on your warranty card and mail it within 10 days after setting up the unit.

2. Storage

A. Environment:

The unit should be stored in a clean, dry environment. The following environmental conditions apply to both storage and shipping:

Temperature: 0°C to 60°C

Humidity : 10%~90% (at 40°C)

Atmospheric pressure: 860~1060 hPa

B. Labels:

The following labels are printed on the outside of the box:



FRAGILE



KEEP AWAY FROM WATER



DO NOT HOOK



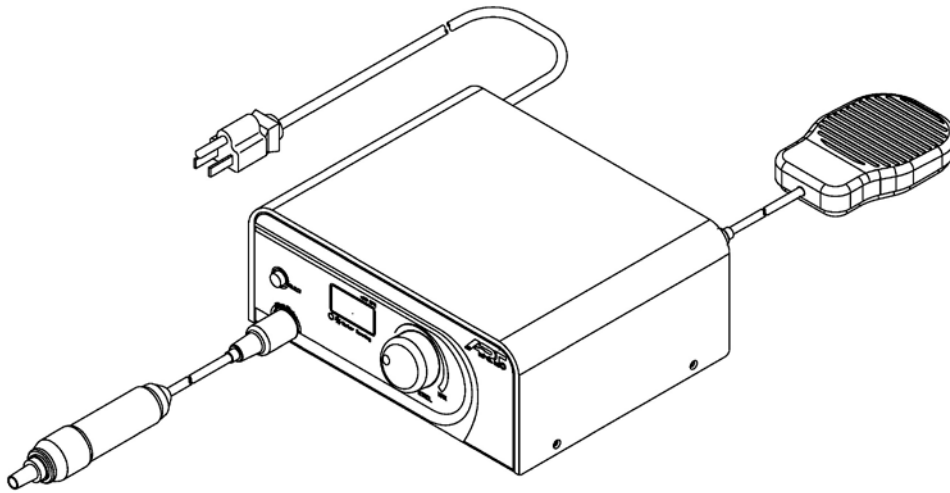
THIS SIDE UP

3. Setup

Unpack the unit and connect the components illustrated in the figure below.

NOTE:

When unpacking the box, check the ART-PL3 for any damages. If damaged, please contact your dealer immediately. Enter the unit serial number on your warranty card mail it within 10 days after setting up the PL3.



1. Ensure that the power and the digital display are off.
2. Plug the unit into a grounded outlet.
3. Connect a compatible micro-motor

MAINTENANCE

The polisher does not require special maintenance routines but should be cleaned regularly.

- **Daily start-up**

Press the power switch to turn on the unit.

NOTE: If the digital display is not lit, please contact a local authorized agent.

- **Daily shut-off**

Press the power switch to turn off the unit.

NOTE: Indicator LEDs should be unlit when off.

Listed below are some tips to help maximize the life of the ART-PL3:

- A. Store and operate the main unit in an open area where air can flow freely around it.
- B. Handle with care when transporting the unit.
- C. Ensure that the unit is turned off before leaving the room.

- **Technical Support**

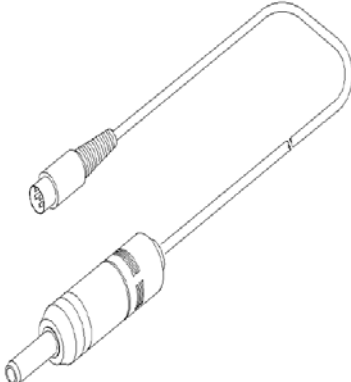
For technical support and repairs in the U.S., call 1-888-526-6278 or 626-600-5330, Monday through Friday, 9:00 AM to 5:00 PM (Pacific Time). For all other areas, contact your local Bonart representative.

- **Supplies & Replacement Parts**

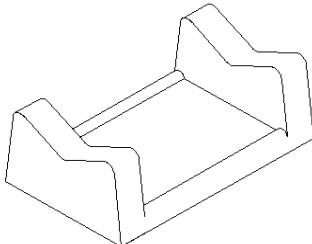
To order supplies or replacement parts in the U.S., contact your Bonart Distributor or Dealer. A list of Bonart dealers can be found on our website at www.bonartmed.com.

ACCESSORIES

(1) Micro-motor (Optional) x1



(2) Micro-motor stand (optional) x1



SPECIFICATIONS

The ART-PL3 is designed and manufactured to meet the most demanding environment. Its specifications are listed below.

● **Classifications**

- Type of protection against electric shock : Class I
- Degree of protection against electric shock : Type BF
- Degree of protection against the harmful ingress of water : IP40
- Mode of operation : Continuous

● **Complies to following Directive/Standards**

ISO13485 - Medical devices - Quality Management Systems– requirements
for regulatory purposes

EN60601-1: Medical Electrical Equipment , General Requirement for Safety

EN60601-1-2: Medical Electrical Equipment , Electromagnetic Compatibility
-Requirements and Tests

● **Specification**

- Power supply
115V \pm 5% ~50/60Hz 160VA
230V \pm 5% ~50/60Hz 160VA
- Polisher speed
Max. 30000 R.P.M
- Dimension
19.5cm(L) x 15.5cm(W) x 8.5cm(H)
- Weight
3.7 Kg(include handpiece)
- Footswitch Cable
250 cm

Operation environment

- Temperature
0°C ~60°C
- Relative Humidity
10% ~ 90% (non-condensing)

Transport and storage conditions

- Temperature
0°C ~60°C
- Relative Humidity
10% ~ 90% (non-condensing)
- Atmospheric pressure
860~1060 hPa